

Radiance Quilt

Featuring *Slow and Steady* by Tula Pink

Diamonds are a girl's best friend and having them in every color of the rainbow is even better.

Collection:	Slow and Steady by Tula Pink
Technique:	Piecing
Skill Level:	Intermediate
Crafting Time:	Longer Term*
Finished Size:	Finished Size: 60" x 78" (152.40cm x 198.12cm) Finished block: 4" x 6½" (10.16cm x 16.51cm)

*Crafting time based on intermediate skill level

Project designed by Stacey Day

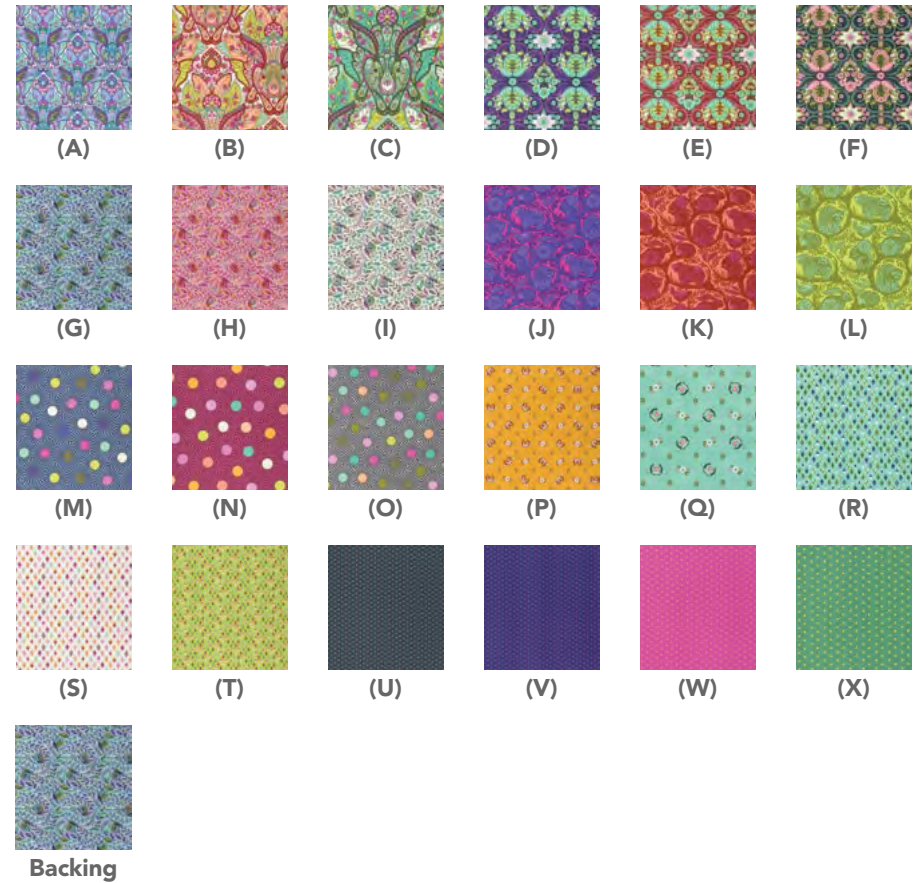
Fabric Requirements

DESIGN	COLOR	ARTICLE CODE	YARDAGE
(A) The Hare	Blue Raspberry	PWTP084.BLUER	½ yard (45.72cm)
(B) The Hare	Orange Crush	PWTP084.ORANG	⅜ yard (34.29cm)
(C) The Hare	Strawberry Kiwi	PWTP084.STRAW	⅜ yard (34.29cm)
(D) The Tortoise	Blue Raspberry	PWTP085.BLUER	½ yard (45.72cm)
(E) The Tortoise	Orange Crush	PWTP085.ORANG	⅜ yard (34.29cm)
(F) The Tortoise	Strawberry Kiwi	PWTP085.STRAW	½ yard (45.72cm)
(G) Pit Crew	Blue Raspberry	PWTP086.BLUER	½ yard (45.72cm)
(H) Pit Crew	Orange Crush	PWTP086.ORANG	⅜ yard (34.29cm)
(I) Pit Crew	Strawberry Kiwi	PWTP086.STRAW	½ yard (45.72cm)
(J) Grandstand	Blue Raspberry	PWTP087.BLUER	½ yard (45.72cm)
(K) Grandstand	Orange Crush	PWTP087.ORANG	⅜ yard (34.29cm)
(L) Grandstand	Strawberry Kiwi	PWTP087.STRAW	⅜ yard (34.29cm)
(M) Clear Skies	Blue Raspberry	PWTP088.BLUER	½ yard (45.72cm)
(N) Clear Skies	Orange Crush	PWTP088.ORANG	⅜ yard (34.29cm)
(O) Clear Skies	Strawberry Kiwi	PWTP088.STRAW	½ yard (45.72cm)
(P) Winners Circle	Orange Crush	PWTP089.ORANG	⅜ yard (34.29cm)
(Q) Winners Circle	Strawberry Kiwi	PWTP089.STRAW	½ yard (45.72cm)
(R) Track Flags	Blue Raspberry	PWTP090.BLUER	½ yard (45.72cm)
(S) Track Flags	Orange Crush	PWTP090.ORANG	⅜ yard (34.29cm)
(T) Track Flags	Strawberry Kiwi	PWTP090.STRAW	⅜ yard (34.29cm)
(U) Tortoise Shell	Asphalt	PWTP091.ASPHA*	1 yard (.91m)
(V) Tortoise Shell	Blue Raspberry	PWTP091.BLUER	½ yard (45.72cm)
(W) Tortoise Shell	Orange Crush	PWTP091.ORANG	⅜ yard (34.29cm)
(X) Tortoise Shell	Strawberry Kiwi	PWTP091.STRAW	⅜ yard (34.29cm)

* includes binding

Backing (Purchased Separately)

Pit Crew	Blue Raspberry	PWTP086.BLUER	4⅞ yards (4.48m)
----------	----------------	---------------	------------------



Additional Requirements

Coats® 100% Cotton Thread

68" x 86" (172.72cm x 218.44cm) batting

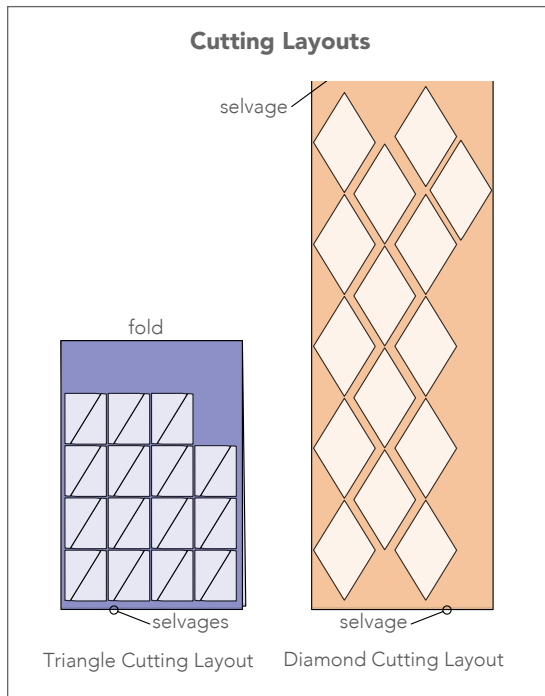
Plastic template material

(1) each of Triangle and Diamond templates **printed at 100%**

Cutting Instructions

Trace template patterns onto plastic template material and cut out.

Note: Triangle templates are cut from a **double layer** of fabric folded wrong sides together—this produces right- and left-facing triangles. **Diamonds** are cut from a **single layer** of fabric. Follow the cutting layouts for both pieces.



Fabrics A, D, F, I, J, M, O, Q, R, and V, cut:
(60) Triangles from each

Fabrics B, C, E, H, K, L, N, P, S, T, W, X, cut:
(15) Diamonds

Fabric G, cut:
(60) Triangles
(2) 86" x WOF (218.44cm x WOF) for backing

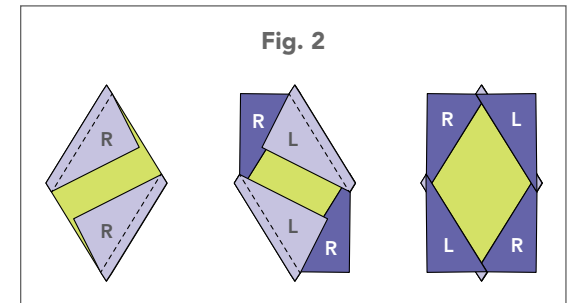
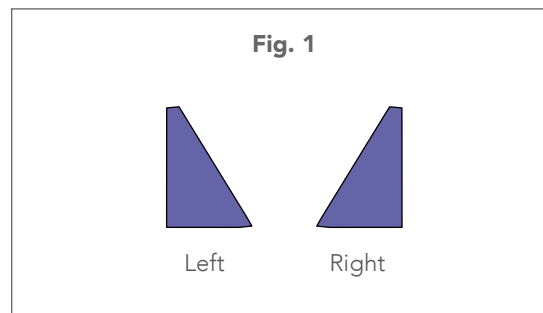
Fabric U, cut:
(8) 2¼" x WOF (5.72cm x WOF) for binding
(60) Triangles

Sewing Instructions

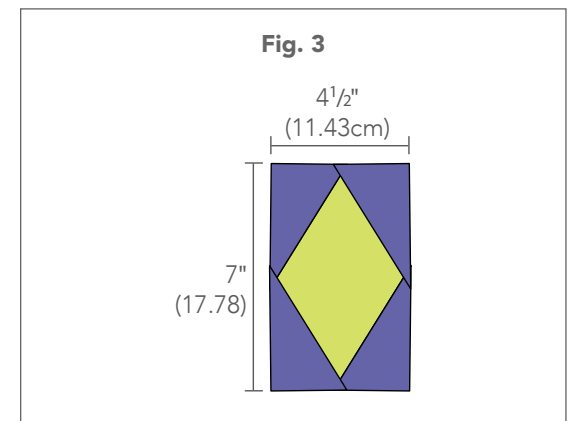
Notes

- All seam allowances are ¼" (.64cm) unless otherwise noted.
- The diamonds and triangles have bias edges, **so be careful not to distort** them while stitching. If you haven't worked with diamonds or triangles before, cut a few from fabric scraps to practice making them.

- Separate the triangles into left and right facing groupings. (**Fig. 1**) The diamond block is made by sewing (4) matching triangles (2 right and 2 left) to (1) contrasting diamond as shown. (**Fig. 2**)



- Following the **Quilt Layout diagram** for pairing fabrics, make (15) diamond blocks each using **Fabrics A, D, F, I, Q, and V triangles** and **Fabrics H, K, N, P, T, and X diamonds**. Sew triangles to opposite sides the diamond first, then the two remaining sides.
- Make (15) diamond blocks **each** using **Fabrics G, J, M, O, R, and U triangles** and **Fabrics B, C, E, L, S, and W diamonds**.
- Press each block and trim if needed to 4½" x 7" (11.43cm x 17.78cm), keeping the diamond centered. (**Fig. 3**)



Quilt Top Assembly

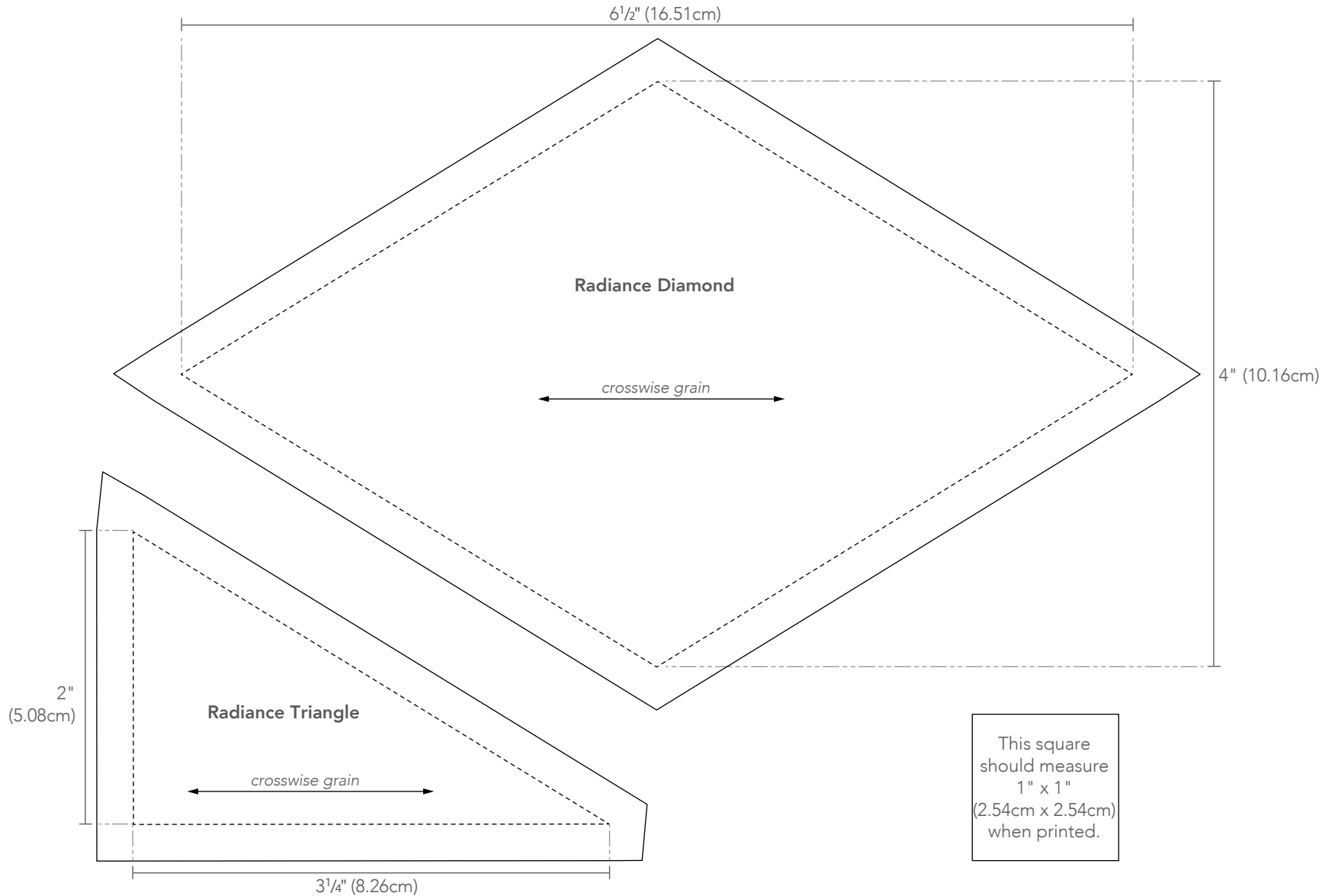
- Following the **Quilt Layout** for placement and orientation, sew the diamond blocks together into (15) vertical columns, each with (12) blocks. Sew the rows together in order. The quilt should measure 60½" x 78½" (153.67cm x 199.39cm).

Finishing

- Sew the long edges of the 86" x WOF (218.44cm x WOF) **Fabric G** strips together to make the backing 86" x 88" (218.44cm x 223.52 cm).
- Layer the backing right side down, batting, and quilt top right side up. Baste the layers together and quilt as desired. Trim excess batting and backing even with the quilt top.
- Sew the (8) 2¼" x WOF (5.4cm x WOF) **Fabric U** strips end to end using diagonal seams to make one continuous binding strip. Press seams open. Fold the binding in half with wrong sides together and press.
- Leaving an 8" (20.32cm) tail, sew the binding to the top of the quilt through all layers with raw edges matching. Miter corners. Stop approximately 12" (30.48cm) from the starting point. Lay both loose ends of binding flat along the quilt edge. Where the loose ends meet, fold pieces back on themselves and press to form a crease. Using this crease as the stitching line, sew the two open ends of the binding right sides together. Trim seam to ¼" (.64cm) and press open. Finish sewing binding to quilt top.
- Turn binding to back of quilt and hand stitch in place.

Quilt Layout





This square should measure 1" x 1" (2.54cm x 2.54cm) when printed.

*** Measure templates before cutting to confirm printing at 100%***